



Huntleigh
HEALTHCARE

Highlite Overhead Track System



User Manual

Contents

The Huntleigh Highlite® illustration	4
1. Intended use	5
2. Application	5
3. Unpacking	5
4. Transporting the Highlite®	6
5. Setting Up instructions	6
6. Folding Away the Highlite®	11
7. Operating procedures – Safety Precautions – Daily Check List	14
8. Care of the Highlite®	15
9. Maintenance	16
10. Lifting Units for the Highlite®	18
11. Troubleshooting guide	19
12. User spares	20
13. Technical specifications	21
14. Symbols	22
15. Warranty and Service	23

Warnings and Cautions

WARNINGS given in this manual identify possible hazards in conditions or procedures which, if not followed correctly, could result in death, injury or other serious adverse reactions.

Cautions given in this manual identify conditions or procedures which, if not followed correctly, could result in equipment failure or damage.

The Huntleigh Highlite®



1. Intended Use

The Highlite is a lightweight, portable, overhead track system which folds into an integrated storage and transport case. When used with a specified portable lifting unit and sling the Highlite can be used as an aid to assist carers in moving and handling clients safely and efficiently. It is primarily intended to be used for transfers.

2. Applications

The Highlite, in conjunction with a compatible lifting unit and sling, can be used in most applications, including lifting and transferring from a wheelchair, armchair, bed, bath, shower seat and toilet. The system can also be used for lifting from the floor and for 90° rotation. It is suitable for clients in the Sitting, Sitting/Recumbent and Recumbent positions.

Huntleigh Healthcare promotes safe Moving and Handling practices and recommends the Highlite® is used only by a competent person who has read and fully understands the User Guide. The User Guide is an important document and forms part of the LOLER Thorough Examination. It should be readily available for reference at all times

3. Unpacking

Remove the Highlite from the packing box.

WARNING: The Highlite® is fully assembled in the packing case and you may require some assistance lifting it from the box. For transporting the Highlite see page 6

The packing box should contain the following:

Huntleigh Highlite

User Manual. Please read the User Manual carefully

If any parts are found to be missing please notify your supplier immediately.

4. Transporting the Highlite®

The wheels on the base of the folded Highlite have been provided for ease of transportation. The Highlite is more easily controlled if it is pulled rather than pushed.

The Highlite weighs approximately 23 kg. Handles are provided but care should be exercised when lifting. For example you may need assistance for lifting into a car boot or down stairs

5. Setting up instructions

WARNING: The Highlite® is designed to be easily set up, but before doing so please check that it complies with your local Moving and Handling guidelines. Until confident of assembling the Highlite alone, please seek assistance.

Assembly instructions

1. Wheel the Highlite to selected location and stand upright on its wheeled base (Fig 1).

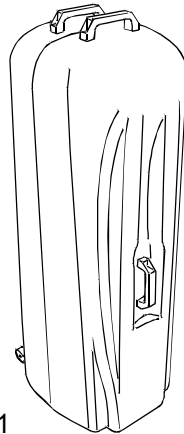


Fig 1

2. Take a firm grip of the end handle and using the wheels as a pivot lower the Highlite onto its underside on the floor (Fig 2). Pull the keyring situated above the end handle and release the box catch (Fig 3).

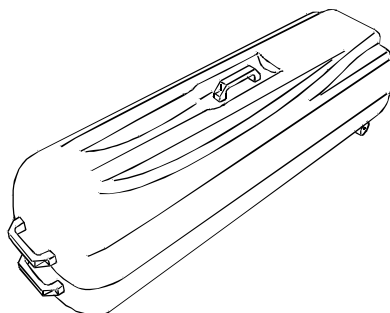


Fig 2

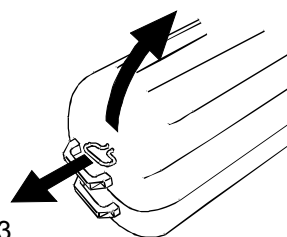


Fig 3

3. Take a firm grip of the handle and swing the top half of the case over until the case is fully open (Fig 4).

WARNING: There is a possible trapping point between the folding halves as the case opens. Make sure there is nothing to prevent the case from fully opening and all body parts are kept well away from this area

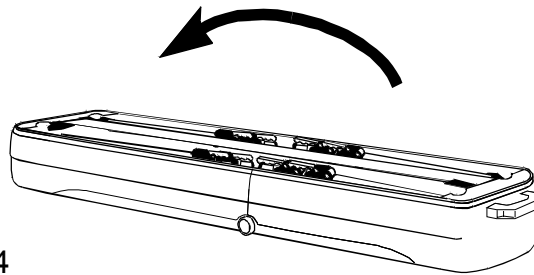


Fig 4

When the case is fully open a catch will automatically engage and prevent the two halves from folding back to the closed position.

WARNING: Make sure the catch has engaged before proceeding. Check by lifting a handle a little and checking the case does not begin to fold.

4. Grip a blue leg handle and disengage a leg from its clip. Unfold the leg to an upright position until it engages with the retaining catch at the end of the track (Fig 5).

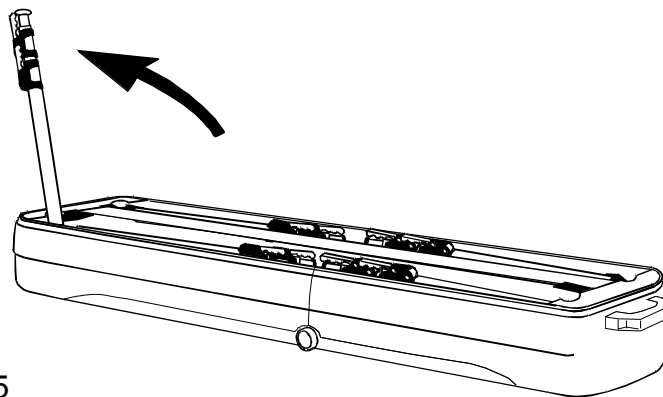


Fig 5

WARNING: Make sure the leg is fully engaged in the retaining catch and cannot fold back down. A visual indication is provided on the release button – when fully engaged the release button will show a green band – see Fig 6

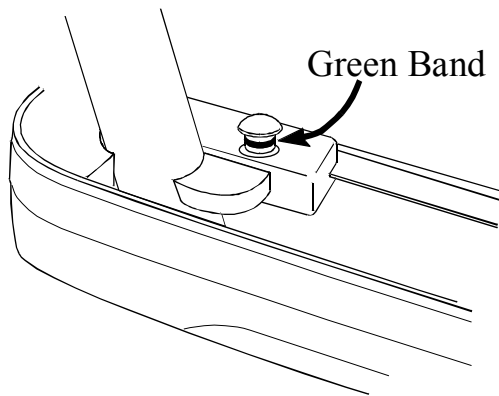


Fig 6

WARNING: There is a possible trapping point between the leg and the end casting. Keep fingers away from this area when unfolding legs.

5. Repeat this operation for all four legs. The Highlite can now be moved into its final, cleared, position at this stage using the wheels
6. Using the extended legs, grip the legs below the leg handles and roll the Highlite onto its side (Fig 7). With the handles provided on the top of the case stand the Highlite on its four feet (Fig 8).

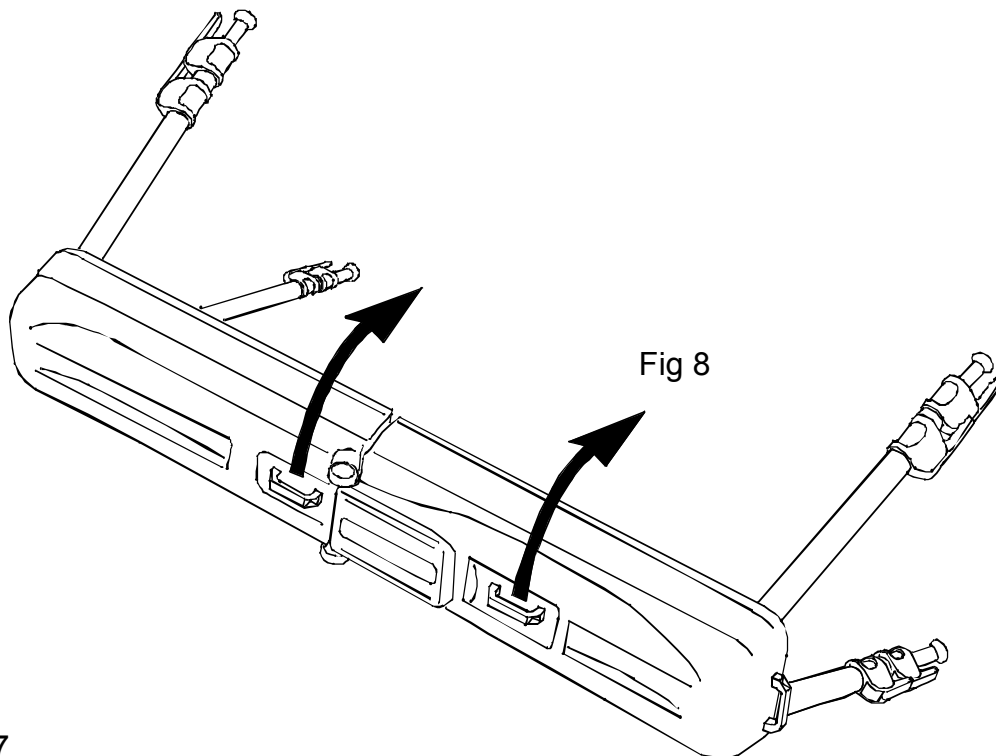


Fig 7

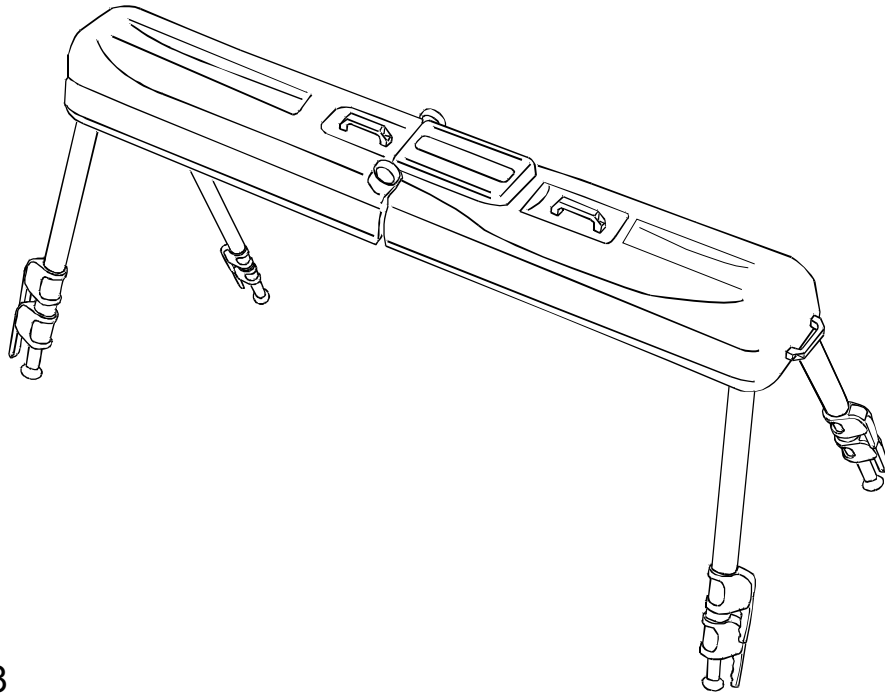


Fig 8

7. The next stage is to extend the legs -
Select a leg. Grip the case handle and lift the end of the Highlite to waist level. Grip the lower blue leg handle with your free hand and release your grip on the case handle.
8. Still firmly gripping the blue handle, pull down on the foot and extend the lower tube to its fullest extent (Fig 9).

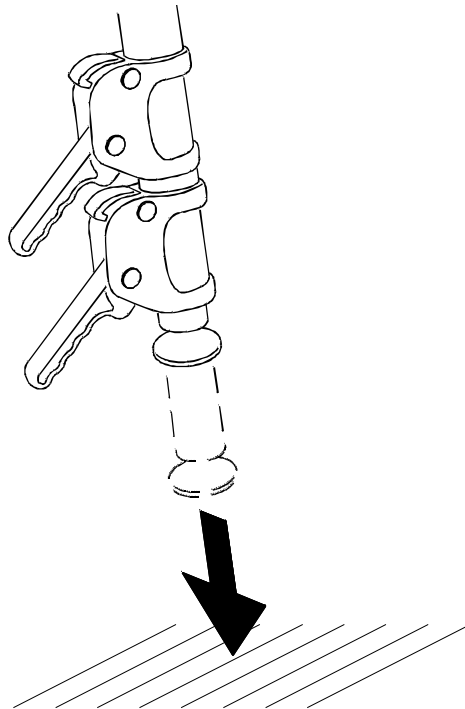


Fig 9

9. Make sure the locking catch engages. The side of the catch has a red coloured indicator, if this is visible then the catch is not properly engaged (Fig 9), lift the lower leg slightly and the catch will snap into place automatically.
10. Push the blue handle down to the locked position (Fig 10).

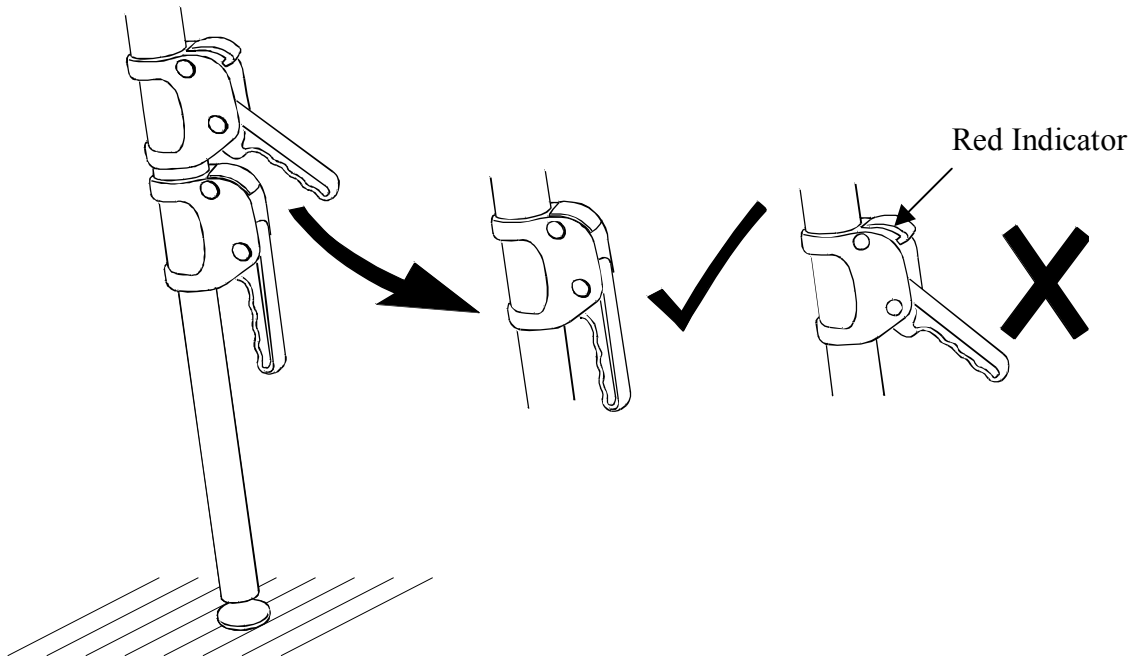


Fig 10

WARNING: The frame has only one partially assembled leg now and will be unstable. It will require careful handling. If you are not confident of doing this alone please seek assistance.

11. Transfer your grip to the other leg on the same end and extend the lower tube on that leg, once again making sure the lower tube is locked in place. Lower partially extended legs to the floor
12. Repeat the process for the two legs at the other end of the frame.
13. The Highlite will now be standing evenly on four partially extended legs.
14. This time, firmly gripping the blue upper leg handle tube extend the middle tube to its furthest extent (Fig 11). Make sure the locking catch engages. The locking catch operates in the same way as the lower catch.

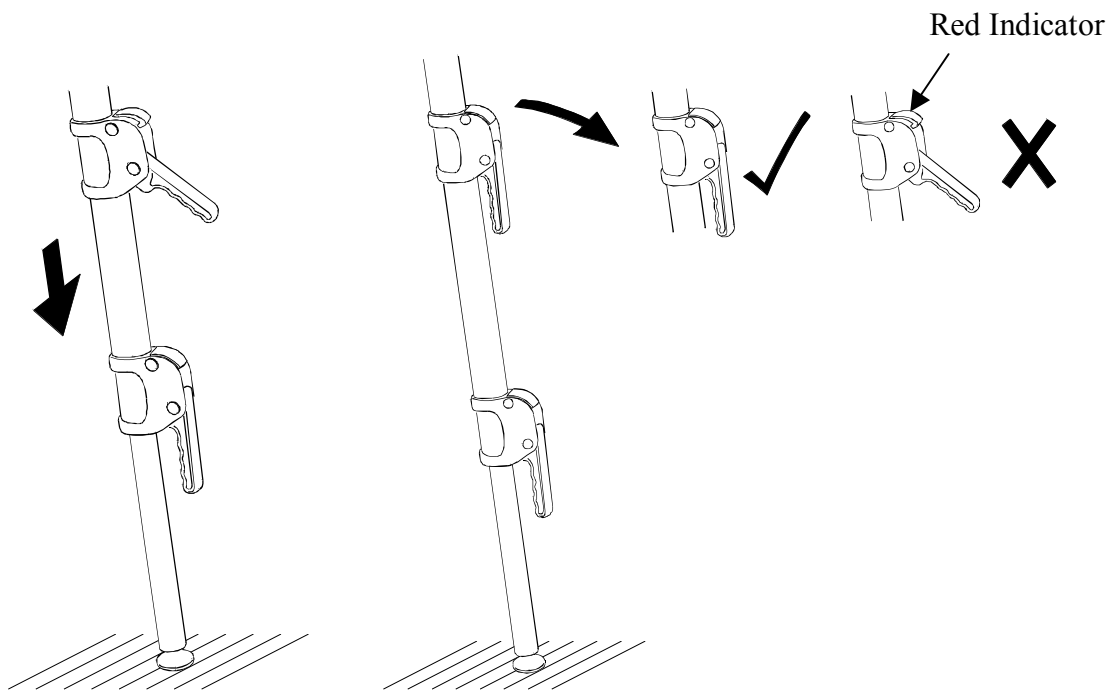


Fig 11

14 Repeat for the other three legs.

15. The Highlite is now fully extended and once fitted with a lifting unit will be ready to begin lifting operations.

WARNING: Because of its folding design there are a number of pinch points during set up. Take care to keep fingers away from these and possible trapping points

6. Folding away the Highlite®

1. Remove the lifting unit from the track and move the trolley to the parking position. **PARK**



Note: The locking catches will not lift if there is any load on the leg. This is a deliberate safety feature that prevents the leg from retracting under load

2. Select a convenient leg. Release the blue lower leg handle and lift the leg slightly off the floor. Lift the locking catch and retract lower leg approximately 75 mm (3 inches). Transfer grip to other leg, this time fully retracting the lower leg. Still retaining your grip on the leg and using the weight of the Highlite, assist the first leg to fully retract (Fig 12).

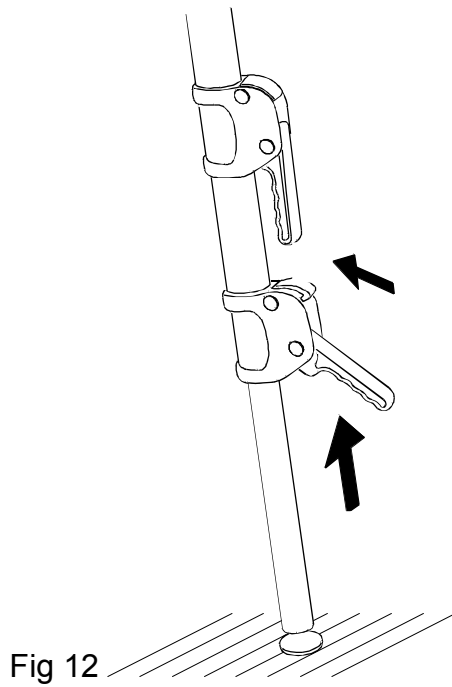


Fig 12

- 3 Lower the end of the frame so it stands on the two partially retracted legs.
- 4 Repeat for the other two legs at the other end of the frame.
- 5 Stay at the same end and retract the middle legs by lifting the locking catch and sliding the middle sections into the top sections (Fig 13). Lower to the floor.

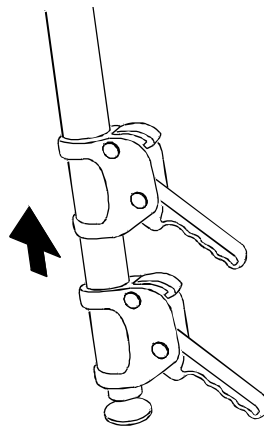


Fig 13

- 6 Return to the other end of the frame and repeat the process.
- 7 The Highlite is now standing on four fully retracted legs.
- 8 Using the handles on the top of the Highlite case, turn the Highlite onto its side and then, using the legs, onto its back with the legs pointing upwards.
- 9 Select a leg and press the leg release button. Holding a blue handle, fold the leg down and clip it into the leg clip (Fig 14).

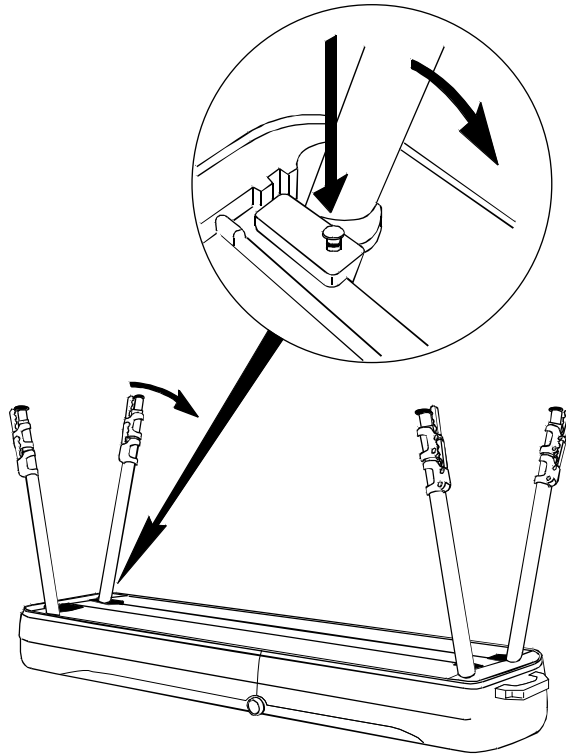


Fig 14

- 10 Repeat on remaining three legs.
- 11 Pull the keyring to release the track catch. Fold the track until the case latch engages (Fig 15)

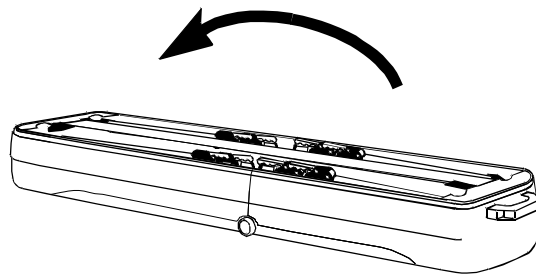


Fig 15

WARNING: Make sure the case catch has engaged and the base cover is secured

- 12 The Highlite is now ready for transporting.

7. Operating Procedures

Safety Precautions

The operation and use of the Huntleigh Highlite is simple and straightforward. However, in such a critical area of care a few safety precautions should be observed to ensure problem free lifting.

- Please read the User Manual carefully. It is important the person setting up the Highlite is familiar with the set up methods and safety features of the Highlite and lifting accessories.
- Do not overload the frame. The safe working load is 130 kg and is clearly marked on the frame and stated in the User Guide.
- The Highlite should only be used on solid, stable, flat, level, dry and even surfaces.
- Do complete the Daily Check (see below) before using the Highlite
- Do not attempt to lift a client positioned outside the footprint of the frame.
- Make sure the client is positioned directly below the lifting unit before commencing lifting operation.
- Have the frame and lifting unit regularly thoroughly examined and serviced.

Daily Check List

The operation of the Highlite is simple and straightforward, however, it is important to make sure the Highlite, lifting unit and sling are in good working order before lifting a client. Following is a Daily Check List which will help to ensure a problem free lifting operation.

- Check the trolley moves freely in the track. (Note the trolley will not run along the track unless it is loaded or the loop is pull down).
- Check the legs are in the locked position.
- Confirm the leg latches are fully engaged.(Fig 10 & 11)
- Confirm the leg clamps are in the locked position (Fig 10 & 11).
- Check the lifting unit is safely connected to the trolley.
- Check for sharp edges caused by damage, missing parts or wear. Do not use until hazard has been eliminated.

WARNING:

The Highlite® should not be used on inclined surfaces.

8. Care of the Highlite®

Cleaning

WARNING:

Personal protective clothing should be worn when carrying out cleaning or disinfection.

All surfaces can be cleaned by wiping with a disposable cloth moistened with hand hot water and a neutral detergent. Rinse using clean water, dry with paper towels.

When used by a patient known or suspected of having an infection this piece of equipment should be disinfected. After washing, wipe over with NaDCC at 1,000 ppm of available chlorine (or other chlorine releasing agent. Alternatively wipe over with a 70% Isopropanol Alcohol wipe. The Huntleigh Infection Control booklet is available on request.

Cautions

Do Not use Hypocarbonate or Phenol based cleaning agents

Tests show undiluted Dettol may damage paint and plastic parts if prolong contact is allowed.

Do not use abrasive compounds or pads.

9. Maintenance

Huntleigh Healthcare recommend the Huntleigh range of patient lifting devices and lifting accessories receive a thorough six-monthly examination and test. We recommend the examination and test is carried out by a competent person. This product should also receive a full service once a year.

Huntleigh Healthcare can offer this after sales care, please ask for our Flexi-Serve brochure, which contains details of the full range of service and maintenance contacts on this product.

This is in line with the requirements of No2307 Health and Safety: The Lifting Operations and Lifting Equipment Regulations 1998 (LOLER)

The examination, tests, servicing and repairs should be carried out according to the recommendations detailed in the Highlite Service Manual which is available upon request.

WARNING

Use only Huntleigh Healthcare approved parts for repair or replacements.

First Line Maintenance (For more detail please refer to Service Manual)

The Huntleigh Highlite has been designed for minimum maintenance, however some checks and first line maintenance is recommended to ensure the correct, safe and trouble free performance of the gantry.

Case (closed)

- Check for any sharp edges caused by damage, wear or missing parts. Take whatever action necessary to eliminate sharp edges
- Check for firm attachment of handles. Tighten if necessary
- Check the case catch keeps the case firmly closed. If not, the reason must be investigated and repairs/adjustments made.
- Check the wheels for free rotation and firm attachment. Remove any threads or fibres that may prevent free running.

Case (open)

- Check the case catch operates smoothly and releases the case halves.
- Open the case fully and check for wear and/or stiffness in the hinge.
- Confirm the track locking catch operates automatically and releases when activated. If not, the reason must be investigated and repairs/adjustments made.
- Lubricate catch pivots.

Stage 1 leg opening (all four legs)

- Make sure the leg clips retain the legs securely.
- Check the leg pivots operate smoothly and the pivot bolts are fully tightened.
- Swing the legs to the locked position and check the leg locking catch is engaged. Confirm by checking the green band is visible on the release button. If the release button does not engage and the green band is not visible the assembly must be investigated and repair/lubrication carried out.
- Activate leg release button and confirm leg release.
- Confirm leg catch assembly is fully tightened to track.

Leg extension (all four legs)

- Pull the lower leg to full extension and make sure the leg catch engages.
- Operate the leg clamp handle and make sure the leg is firmly clamped.
- Fully extend the middle leg and check the leg catch and leg clamping.
- Check leg foot is securely attached and confirm the ball and socket joint is free to rotate. Lubricate joint with any mineral based grease if required.

Track (best conducted with Highlite fully erected)

- Check for track alignment.
- Confirm presence of end of track buffers.
- Pull down lifting unit attachment loop on trolley and confirm free unimpeded travel along full length of track.
- Confirm function of trolley parking.
- Clean inside surfaces of track with lint free cloth, soap and water. Dry thoroughly.

Lifting unit

Any lifting unit used in conjunction with the Huntleigh Highlite should be thoroughly examined and maintained according to the manufacturer's recommendations.

Slings

Any slings used in conjunction with the Huntleigh Highlite should be thoroughly examined and maintained according to the manufacturer's recommendations.

LOAD TEST:

A load test should be carried out in accordance with the manufacturers test procedures. It is strongly recommended that any maintenance, repair, thorough examination or testing is carried out by a competent person.

10. Lifting units for the Highlite®

Warning

The maximum working load of the combination of Highlite®, lifting unit and sling must be taken as the lowest Safe Working Load (SWL) of any part of the combination.

For example: The Highlite® is rated at 130 kg SWL, a lifting unit may be rated at 200 kg SWL and a sling rated at 175 kg SWL. The Safe Working Load of the combination is therefore 130 kg

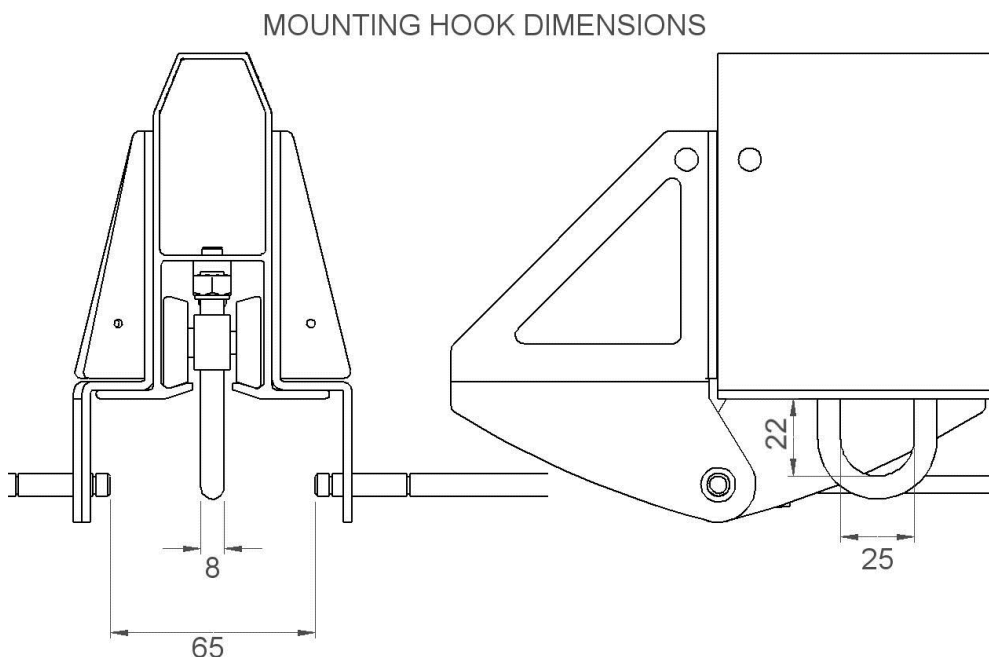
The size of the attachment hook on the Highlite is shown below. Please refer to the lifting unit manufacturer's instructions to ensure compatibility.

The operating instructions, safety precautions and maintenance procedures recommended by the manufacturer should be followed carefully at all times.

NOTE

Please refer to the Manufacturer's specification for weight of the lifting unit.

The maximum Safe Working Load of the Highlite is 130 kg.



11.Troubleshooting Guide

Symptom	Possible Cause	Remedy
Case catch will not engage	<ol style="list-style-type: none"> 1. Loose catch spring 2. Loose catch spigot. 3. Wear on either spring or spigot 	<ol style="list-style-type: none"> 1. Call Service Engineer. 2. Call Service Engineer. 3. Call Service Engineer.
Track catch will not disengage	<ol style="list-style-type: none"> 1. Cable snapped 2. Cable stretched 	<ol style="list-style-type: none"> 1. Call Service Engineer. 2. Call Service Engineer.
Leg catch will not engage (green indicator not showing)	<ol style="list-style-type: none"> 1.Spring loaded plunger stuck. 2. Catch assembly shifted on mountings. 	<ol style="list-style-type: none"> 1. Call Service Engineer. 2. Call Service Engineer.
Leg locking catch will not release	<ol style="list-style-type: none"> 1. Load on leg 2. Leg clamping handle still locked 	<ol style="list-style-type: none"> 1. Take load off leg. 2. Release leg clamp.
Leg extends under own weight	<ol style="list-style-type: none"> 1. Catch spring broken 2. Nylon screw in leg catch worn. 	<ol style="list-style-type: none"> 1. Call Service Engineer. 2. Call Service Engineer.
Leg clamping light/loose.	<ol style="list-style-type: none"> 1. Worn clamp handle. 2. Worn pressure pad. 	<ol style="list-style-type: none"> 1. Call Service Engineer. 2. Call Service Engineer.
Legs will not retract	<ol style="list-style-type: none"> 1. Damage to leg 2. Leg clamping still engaged 	<ol style="list-style-type: none"> 1. Call Service Engineer. 2. Release leg clamp
Legs will not extend	<ol style="list-style-type: none"> 1. Foreign object causing jamming 	<ol style="list-style-type: none"> 1. Call Service Engineer.
Trolley not running along track	<ol style="list-style-type: none"> 1. Parking still engaged 	<ol style="list-style-type: none"> 1. Apply load to hook
Trolley movement stiff or noisy	<ol style="list-style-type: none"> 1. Foreign bodies in track 2. Wheels worn/damaged. 3. Bearings worn/damaged 	<ol style="list-style-type: none"> 1. Clean track 2. Call Service Engineer. 3. Call Service Engineer.

12. User Spare Parts List

1. Box Half Lower	808.10
2. Upper Box Half - Labelled	808.130
3. End Cover	808.106
4. Carrying handle	S5238
5. Leg assembly	808.51
6. Trolley assembly	808.57
7. Trolley buffer	S6527
8. Leg clamping pad	808.79
9. Transport wheel (Pair)	S6359
10. User Manual	800-105-1
11. Service Manual	800-106-1
12. Infection Control brochure	LIT442/02
13. Heavy duty transport bag	TT130/BAG

WARNING

Use only Huntleigh Healthcare approved parts for repair or replacements.

13. Technical Specifications

Product Name	The Huntleigh Highlite®
Product Code	TT130
EEC Directive compliance	93/42/EEC the Medical Devices Directive
Applicable Standard	BS EN ISO 10535: 1998 Hoists for the transfer of disabled persons
Device Classification	Class I
Mode of Operation	Folded framework, manual set up.
Electric Shock Protection	Not applicable
Type of Shock Protection	Not applicable
Operating temperature	+5°C to +40°C

Safe Working Load (SWL)	130 kg
Maximum overall height	2150 mm
Maximum overall length	2560 mm
Maximum overall width	1820 mm
Height to track	1940 mm
Closed width	360 mm
Closed depth	400 mm
Closed length	1140 mm
Weight	<23 kg

14. Symbols



Refer to User Manual



Manufactured date

PARK

Trolley parking position



The CE mark on this product demonstrates conformity with the Medical Devices Directive (93 / 42 / EEC)

15 Warranty & Service

Huntleigh Healthcare standard terms and conditions apply to all sales. A copy is available upon request. These contain full details of warranty terms and do not limit the statutory rights of the customer

Huntleigh Healthcare recommends the Huntleigh range of patient lifting devices and lifting accessories receive a thorough six-monthly examination and test. We also recommend the examination and test is carried out by a competent person. This product should also receive a full service once a year.

Huntleigh Healthcare can offer this after sales care, please ask for our Flexi-Serve brochure, which contains details of the full range of service and maintenance contracts on this product.

This is in line with the requirements of No2307 Health and Safety: The Lifting Operations and Lifting Equipment Regulations 1998 (LOLER)

The examination, tests, servicing and repairs should be carried out according to the recommendations detailed in the Hoist Service Manual which is available upon request.

For service, maintenance and any questions regarding this, or other Huntleigh products, please contact:

Huntleigh Healthcare
Moving & Handling Products Division
Woden Road West
Wednesbury
West Midlands
WS10 7BL
United Kingdom

Tel: +44 (0) 121 556 1511

Fax: +44 (0) 121 502 2092

Or your local distributor

NOTES



Certificate No. 943522



Huntleigh
HEALTHCARE



The CE mark on these products demonstrates conformity with the Medical Devices Directive (93/42/EEC)

Manufactured in the UK by Huntleigh Healthcare
Woden Road West, Wednesbury, West Midlands, WS10 7BL. England.
Tel: +44 (0)121 556 1511 Fax: +44 (0)121 502 2092

Huntleigh Healthcare 24 hour Helpline Lo-call 08457 342000
Website: www.huntleigh-healthcare.com e-mail: sales.admin@hunhcare.co.uk

Huntleigh "H" logo is a registered trademark of Huntleigh Technology PLC in the UK and in some cases other territories.

As our policy is one of continuous development Huntleigh Healthcare reserves the right to change specifications without notice.

Huntleigh Healthcare Moving & Handling Products Division
Registered office: 310-312 Dallow Road, Luton, Bedfordshire, LU1 1TD. Registered Number: 942245 England.
© Huntleigh Technology PLC 2005

800-105-2
04/2006